

MOVE THE WORLD FORWARD  MITSUBISHI  
HEAVY  
INDUSTRIES  
GROUP

**GRENDIA** 1.5 - 3.5 TONS

# INTERNAL COMBUSTION PNEUMATIC TYRE



**F(D)(G)15-35(C)P(T)(D)(H)**

WHEN  
**RELIABILITY** IS  
EVERYTHING...

 **MITSUBISHI**  
FORKLIFT TRUCKS



# **GRENDIA**

F(D)(G)15-35(C)P(T)(D)(H) Series 1.5 - 3.5 TONS

## **Internal Combustion Pneumatic Tyre**

# **CUSTOMIZED TO YOUR OPERATIONAL NEEDS**

---

## **Effortless Inspection and Maintenance**

Simplified inspection and maintenance become a reality with an entirely extendable engine hood, removable side panels, and strategically centralised maintenance stations. Furthermore, intervals between oil changes and lubrication requirements contribute to decreased maintenance costs.





# PUSHING BOUNDARIES

## Propelling Advanced Performance

By integrating new technologies, Mitsubishi's new Grendia Forklift Trucks set new benchmarks for operational excellence while maintaining unwavering environmental consciousness. The innovative engine system within Mitsubishi's Grendia lineup demonstrates exceptional fuel efficiency and minimal emissions, surpassing global eco-standards. Beyond its revolutionary engine, Grendia prioritises operator well-being and heightened security. Each forklift in the Grendia lineup seamlessly incorporates an Integrated Presence System (IPS), reinforcing safety measures and mitigating accident risks. Enhanced by LCD graphic displays and digital monitoring systems, Mitsubishi's Grendia Forklift Trucks epitomise heightened safety and efficiency. This is the future of forklifts, available today.





# EMBRACING ENVIRONMENTAL CHALLENGES TODAY AND TOMORROW

## Advanced Electronically Controlled Gasoline Engine

Mitsubishi's Grendia Forklift Trucks comes equipped with a standard gasoline electronic control engine that leads the industry in integrating non-electronically controlled fuel injection and three-way catalytic muffler. Evolving further in our new lineup, this technology achieves exceptional environmental standards while maintaining peak performance and steadfast reliability. The engine has wheelspin suppression that improves overall fuel efficiency and reduces torque loss.

## Dual-Level Speed Control for Enhanced Versatility

Mitsubishi's Grendia offers an automatic speed control with dual settings: HIGH for outdoor applications and LOW for indoor environments. Operators can seamlessly switch between these modes, striking the perfect balance between fuel efficiency and operational prowess.

## Power / Efficiency Mode Selection

Customised to diverse tasks, Mitsubishi's Grendia Forklift Trucks provide two power modes: POWER mode, optimising output, and SOFT mode, prioritising fuel efficiency and reduced noise levels. Opting for SOFT mode leads to a remarkable 13% reduction in carbon emissions compared to POWER mode.



## Starter Protection Control Function

### A. Starter Long-Term Energization Prevention Function

If the key switch remains in the start position for a certain period, cranking will be forcibly stopped. It prevents over-cranking and protects the engine.

### B. Starter Re-Jumping Prevention Function

Cranking after starting the engine is prohibited. The engine can be re-cranked after a certain period had passed after the starter is turned off, protecting the engine.

## Enhanced Diesel Engine with Environmental Upgrades

Maintaining the esteemed performance of our renowned Diesel Engine, Mitsubishi's Grendia Forklift Trucks now incorporate eco-friendly enhancements. These upgraded engines maintain low emission levels while upholding horsepower and unwavering reliability.

## Designed for Operator Comfort and Reduced Fatigue

Encompassing features such as a low-noise engine, enhanced engine compartment soundproofing, and floor-level noise reduction, Mitsubishi's Grendia Forklift Trucks establish a serene operator and workspace environment.

## Steering Synchronisation for Effortless Precision

Equipped with comprehensive hydrostatic steering, maintaining straight paths in confined areas, like containers, can pose challenges. Mitsubishi's Grendia Forklift Trucks deploy a steering synchronizer that actively detects and corrects misalignments, ensuring seamless linear motion without constant steering adjustments.

## WHEEL SPIN SUPPRESSION ADAPTION FUNCTION (GASOLINE ELECTRONIC ENGINE)

- 1) The throttle is set to operate slowly in response to pressing on the accelerator, so that the throttle is not fully activated even when the accelerator is fully pressed down. Reduce loss torque such as torque control stall by gradually open the throttle with slope in consideration of power performance and the accelerator opening features.
- 2) Optimized throttle opening to improve fuel efficiency. Conventionally, over-speeding above the rated speed of 2,700 rpm was controlled by retarding the ignition timing. => The above two controls reduce unnecessary fuel injection and improve fuel efficiency.





# SAFETY AT THE FOREFRONT: PIONEERING AND RELIABLE SAFETY SOLUTIONS PROTECT OPERATORS AND WORKSPACES

## Integrated Presence System

Mitsubishi's Grendia lineup integrates the Integrated Presence System (IPS), a proactive safety solution meticulously designed to identify potential hazards before they transform into accidents. By ensuring operator safety during vehicle operation and mitigating non-seated errors, this system serves as a robust shield for both operators and workplaces against potential risks.



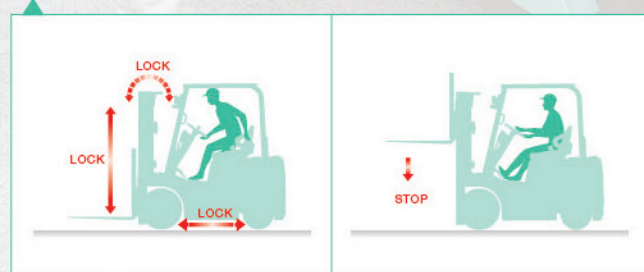
## Seamlessly Embedded Digital Monitoring

Within the operator's cabin, digital interfaces offer a streamlined approach to monitoring systems and controls. Activating upon ignition, the digital panel swiftly provides insights into speed, load weight, and system status.



## Mast and Travel Interlock

Incorporating a mast and travel interlock mechanism, Mitsubishi's Grendia lineup seamlessly interacts with the operator's seat. In scenarios where the operator is not seated, this system automatically immobilises mast functions and, for torque-converter models, vehicle movement. This sophisticated feature serves as a barrier against harm to both individuals and property.



## Lift Lock

Upon ignition deactivation, the fork on Mitsubishi's Grendia lineup locks automatically, maintaining its position even if the lift lever is accidentally displaced or shifted.

## Neutral Safety Guarantee

Present in all vehicles, including torque-converter-equipped and direct drive models, an embedded Neutral Safety system prevents engine ignition unless the forward/backward lever is positioned in neutral.

## Unobstructed Front Vision, Clear Rear Visibility

Setting itself apart from other forklifts, Mitsubishi's Grendia lineup boasts unimpeded front visibility extending from fork tip to mast apex. Enhanced rear visibility is achieved through the compact tail design.



## Elevated Rear Combination Lighting

All Mitsubishi's new Grendia forklifts are equipped with high-mounted rear combination lamps placed above the protective head guard, delivering unmistakable braking and stopping signals to following vehicles and pedestrians.





# UNPARALLELED PERFORMANCE, MIGHTY LIFTING STRENGTH

## Extraordinary Lifting Capability

Mitsubishi's Grendia lineup stands as a testament to engineering excellence, boasting a low centre of gravity frame that meticulously optimises vehicle balance and stability during lifting tasks. This intricate engineering leads to elevated load capacity with unmatched stability. The high-torque, high-power engine guarantees a steadfast lift speed, irrespective of the load, empowering operators to amplify efficiency.

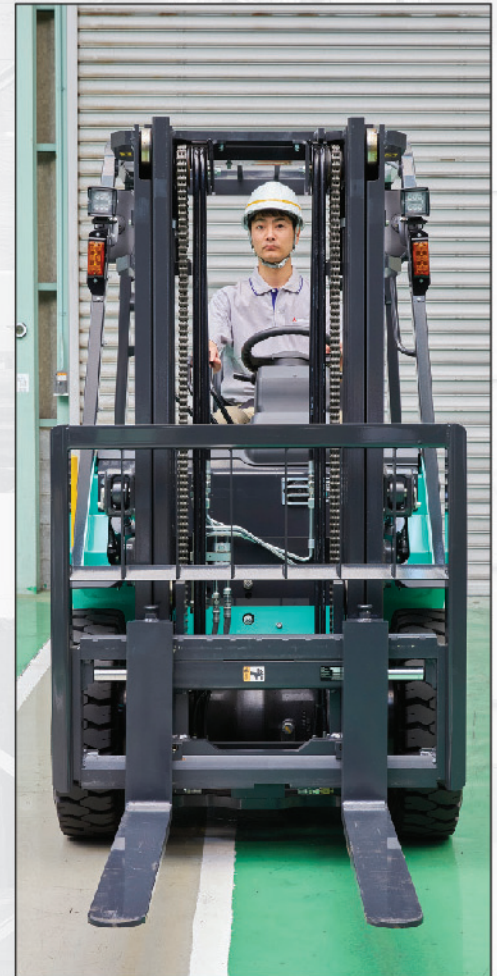


**EXCEPTIONAL LIFTING COMPETENCE**

Lift speed:

- 640mm/s (when loaded)
- 660mm/s (when not loaded)

No capacity deration up to a height of 4 metres (2-stage mast)



## ELEVATING PRECISION. REDEFINING PERFORMANCE.

### Reliable Descent Control

Inherent within Mitsubishi's Grendia lineup, descent control takes the spotlight. Activating as the fork gracefully nears the ground, this automated marvel ensures load security, adeptly countering sudden drops or impacts, thus augmenting load handling safety.

### POWER IN ACTION

Meticulously engineered, Mitsubishi's Grendia forklifts seamlessly integrate a high-power engine and advanced transmission, choreographing an impeccably smooth initiation of motion and acceleration. This dynamic partnership guarantees unwavering traction even on inclines. The infusion of a dual-servo system amplifies control during braking and stopping, fortifying the bedrock of operational safety.

#### Effortless Acceleration

Achieving 10-meter acceleration in a swift (unloaded) • FD25PT

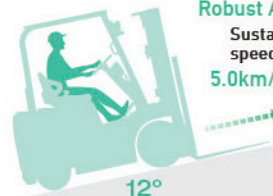
3.1 seconds



#### Robust Ascent Capability

Sustaining a 12-degree uphill speed

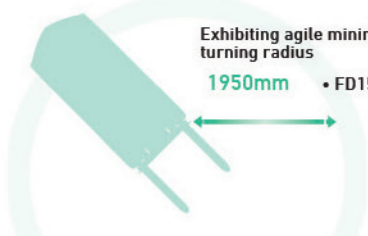
5.0km/h (unloaded) • FD25PT



#### Exceptional Steering Agility

Exhibiting agile minimal turning radius

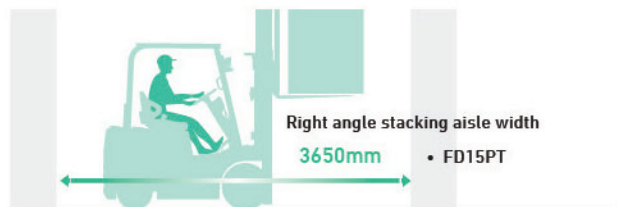
1950mm • FD15PT



Mitsubishi's Grendia forklifts underscore their prowess within compact environments such as warehouses

Right angle stacking aisle width

3650mm • FD15PT





# SMOOTH OPERATION. OPERATOR ASSURANCE.

## Integrated Comfort and Control

Infused with a suspension seat featuring a hip support mechanism, the Mitsubishi Grendia range upholds operator well-being as a top priority. This seat offers personalised adjustments for both position and recline, ensuring optimal comfort tailored to individual body contours. Enhancing safety vigilance, the seat belt integrates a warning light, while the soft-grip handle streamlines ingress and egress.

- For meticulous manoeuvres, the **inching pedal** provides finesse in control.
- With effortless effort, the **electric shift lever** glides seamlessly back and forth
- Enhanced convenience is ensured with **optional function switches** thoughtfully positioned on the dashboard's right side.
- Braving outdoor conditions becomes second nature with the inclusion of an **acrylic roof (option)**, effortlessly installable or removable.
- Simplifying operation, the **combination switch** seamlessly integrates indicator and headlight controls.
- Adapting to varying preferences, the **tiltable steering column** elevates driving ergonomics.
- Prioritising reduced vibration, the **power-train full floating structure** is fortified by vibration-absorbing rubber mounts.
- Seamless steering is a hallmark, facilitated by the fully **hydraulic power steering system**, enabling impeccable control even in stationary tasks.
- Colour display. Visually clear **LCD colour display** allows for easy reading and interpretation of the key operator signals.

## OPTIONAL COMPONENTS

### • FINGERTIP CONTROL LEVER / ARMREST FNR SWITCH

Forward and Reverse Switching (FNR switch controller) at armrest will be replaced as the Standard setting. (If the FNR switch is attached, there is no forward and backward switching lever under the steering.)

**Fingertip control.** A function that allows cargo handling operations such as lifts and tilts to be performed with fingertip operation. This can be operated with arm on the armrest.



### • SINGLE CONTROL LEVER

Lift up/down and tilt forward/backward operation with a single lever.

### • SMOOTH-RUN SYSTEM

Reduces the vibration of the load during lift operation and driving to prevent the load from collapsing. An accumulator is mounted on the step.

### • TILT HORIZONTAL CONTROL

➤ Tilt horizontal control button enables tilt forward stops at horizontal position of forks.

➤ By pressing the tilt horizontal support button while operating the lever, difficult tilt horizontal work can be easily performed.



### • LASER POINTER

Laser pointer is indicated when the fork is in horizontal position, making it possible to visually grasp the fork height. (The LED lamp attached to the mast indicates that it is horizontal.)



### • SMOOTH SHIFT

\*This option is only available only for gasoline truck with torque converter transmission.

(Transmission Full Reverse Protection)

**Transmission Protection Function.**

a. A function that changes shifts only when a truck speed is low (4.5 km/h or less). It is necessary to release the accelerator once to change shifts.

**Sudden Starts Prevention Function**

b. When Forward or Reverse is applied, the gear does not switch to Forward or Reverse while the engine speed is high.

### ENGINE CUT OFF FUNCTION (AUTO STOP)

(Only Electronic Controlled Engine) Prevent idling.

Default: 60 seconds setting.

a. Engine Stop

b. Power off for electric components connected to electric circuit below ignition switch such as meter panel, engine and so on.

c. Excepted components; VCM, lamps and horn.

Reduces excess fuel consumption due to unnecessary idling.





# SPECIFICATIONS

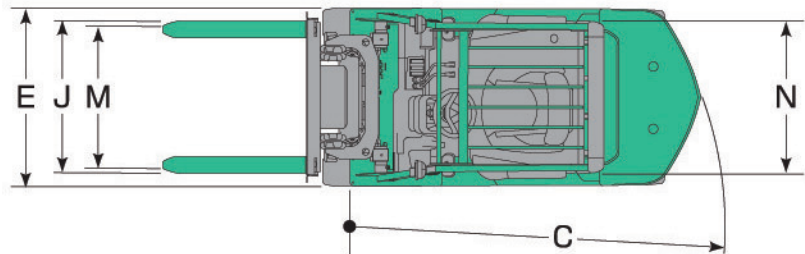
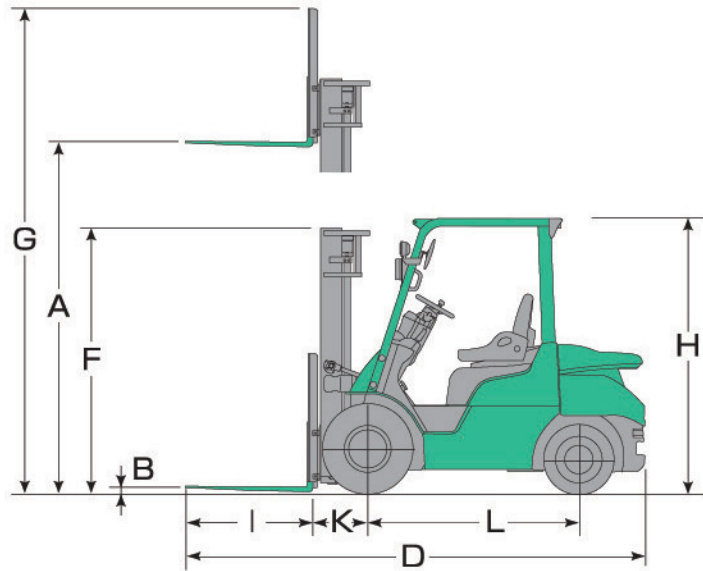
CHARACTERISTICS						
1.1	Manufacturer (abbreviation)		MITSUBISHI	MITSUBISHI	MITSUBISHI	MITSUBISHI
1.2	Manufacturer's model designation		FD15P(T)(D)	FD18P(T)(D)	FD20CP(T)(D)	FD20P(T)(D)
1.3	Power source: Battery, Diesel, LPG, Petrol		Diesel	Diesel	Diesel	Diesel
1.4	Operator type: pedestrian, (operator)-standing, -seated		Seated	Seated	Seated	Seated
1.5	Load capacity	Q kg	1500	1750	2000	2000
1.6	Load center distance	c mm	500	500	500	500
1.7	Load distance, axle to fork face	x mm	400	400	415	455
1.8	Wheelbase	y mm	1400	1400	1400	1600
WEIGHTS						
2.1	Truck weight without load / including battery (simplex mast, lowest lift height)	kg	2530	2720	3030	3380
2.2	Axle loading with maximum load, front/rear (simplex mast, lowest lift height)	kg	3520/510	3880/590	4330/700	4640/740
2.3	Axle loading without load, front/rear (simplex mast, lowest lift height)	kg	1060/1470	1000/1720	1020/2010	1450/1930
WHEELS, DRIVE TRAIN						
3.1	Tyres: V=solid, L=pneumatic, SE=solid pneumatic - front/rear		L / L	L / L	SE / SE	L / L
3.2	Tyre dimensions, front		6.50-10	6.50-10	6.50-10/5.00	7.00-12
3.3	Tyre dimensions, rear		5.00-8	5.00-8	5.00-8/3.00	6.00-9
3.4	Number of wheels, front/rear (x=driven)		2x / 2	2x / 2	2x / 2	2x / 2
3.5	Track width (center of tyres), front	b10 mm	890	890	890	960
3.6	Track width (center of tyres), rear	b11 mm	900	900	900	980
DIMENSIONS						
4.1	Mast tilt, forwards/backwards	$\partial/\beta$ °	6/12	6/12	6/12	6/12
4.2	Height with mast lowered (see tables)	h1 mm	1990	1990	1990	1990
4.3	Free lift (see tables)	h2 mm	115	115	120	140
4.4	Lift height (see tables)	h3 mm	3000	3000	3000	3000
4.5	Overall height with mast raised	h4 mm	4055	4055	4055	4055
4.6	Height to top of overhead guard	h6 mm	2065	2065	2065	2074
4.7	Seat height	h7 mm	929	929	929	938
4.8	Tow coupling height	h10 mm	290	290	290	310
4.9	Overall length	l1 mm	3180	3220	3275	3405
4.10	Length to fork face (includes fork thickness)	l2 mm	2260	2300	2355	2485
4.11	Overall width	b1/b2 mm	1065 / 1480	1065 / 1480	1065 / -	1150 / 1640
4.12	Fork dimensions (thickness, width, length)	s/e/l mm	35x100x920	35x100x920	45x100x920	45x100x920
4.13	Fork carriage to DIN 15 173 A/B/no		2A	2A	2A	2A
4.14	Fork carriage width	b3 mm	920	920	920	1000
4.15	Ground clearance under mast, with load	m1 mm	110	110	110	115
4.16	Ground clearance at center of wheelbase, with load (forks lowered)	m2 mm	150	150	150	160
4.17	Working aisle width with 1000 x 1200 mm pallets, crosswise	Ast mm	3550	3580	3635	3855
4.18	Working aisle width with 800 x 1200 mm pallets, crosswise	Ast mm	3350	3380	3435	3655
4.19	Working aisle width with 800 x 1200 mm pallets, lengthwise		3750	3780	3835	4055
4.20	Turning circle radius	Wa mm	1950	1980	2020	2200
4.21	Minimum distance between centers of rotation	b13 mm	555	555	555	715
PERFORMANCE						
5.1	Travel speed, with/without load	km/h	18.5/19.0	18.5/19.0	18.5/19.0	18.0/18.5
5.2	Lifting speed, with/without load	m/s	0.64/0.66	0.64/0.64	0.64/0.66	0.61/0.64
5.3	Lowering speed, with/without load	m/s	0.52/0.45	0.52/0.45	0.52/0.45	0.51/0.45
5.4	Rated drawbar pull, with/without load	N	12800/6800	12700/6500	12600/6500	15800/9400
5.5	Gradeability, with load	s	34	30	26	31
5.6	Service brakes (mechanical/hydraulic/electric/pneumatic)		Hydraulic	Hydraulic	Hydraulic	Hydraulic
IC ENGINE						
6.1	Manufacturer / Type		S4Q2	S4Q2	S4Q2	S4S
6.2	Rated / Nominal output to ISO 1585**	kW	30.0	30.0	30.0	38.1
6.3	Rated speed to DIN 70 020	rpm	2500	2500	2500	2250
6.4	Number of cylinders / cubic capacity	cm³	4 / 2505	4 / 2505	4 / 2505	4 / 3331
6.5	Fuel consumption according to VDI 80 cycle	l/h / kg/h	2.30/-	2.35/-	2.35/-	2.55/-
6.6	Max torque	Nm	131	131	131	185
6.7	Max torque at engine speed	rpm	1800	1800	1800	1700
MISCELLANEOUS						
7.1	Type of drive control		Powershift 1/1	Powershift 1/1	Powershift 1/1	Powershift 1/1
7.2	Maximum operating pressure for attachments	bar	180	180	180	180
7.3	Oil flow for attachments	l/min	62	62	62	75
7.4	Noise level, value at operator's ear (EN 12053)	dB(A)	80	80	80	78
7.5	Towing coupling design / DIN type, ref.		pin	pin	pin	pin



## INTERNAL COMBUSTION PNEUMATIC TYRE

### F(D)(G)15-35(C)P(T)(D)(H)

MITSUBISHI FD25P(T)(D)	MITSUBISHI FD30P(T)(D)	MITSUBISHI FD35P(T)(D)
Diesel	Diesel	Diesel
Seated	Seated	Seated
2500	3000	3500
500	500	500
460	495	495
1600	1700	1700
3680	4350	4740
5430/750	6510/840	7220/1020
1430/2250	1750/2600	1670/3070
L / L	L / L	L / L
7.00-12	28x9-15	250-15
6.00-9	6.50-10	6.50-10
2x / 2	2x / 2	2x / 2
960	1060	1060
980	980	980
6/12	6/12	6/12
1990	2015	2130
140	145	145
3000	3000	3000
4055	4055	4055
2074	2093	2103
938	988	988
310	330	340
3480	3805	3865
2560	2735	2795
1150 / 1640	1275 / 1710	1290 / 1710
45x100x920	45x122x1070	45x122x1070
2A	3A	3A
1000	1000	1000
115	135	150
160	190	200
3890	4075	4135
3690	3875	3935
4090	4275	4335
2230	2380	2440
715	780	780
18.0/18.5	17.5/18.0	18.0/18.5
0.61/0.64	0.49/0.50	0.41/0.42
0.51/0.45	0.51/0.41	0.43/0.31
15600/9300	15700/11200	14900/10500
27	22	19
Hydraulic	Hydraulic	Hydraulic
S4S	S4S	S4S
38.1	38.1	38.1
2250	2250	2250
4 / 3331	4 / 3331	4 / 3331
3.20/-	3.40/-	3.50/-
185	185	185
1700	1700	1700
Powershift 1/1	Powershift 1/1	Powershift 1/1
180	180	180
75	73	73
78	78	78
pin	pin	pin

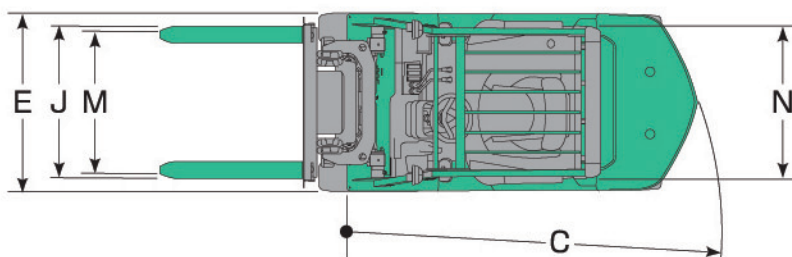
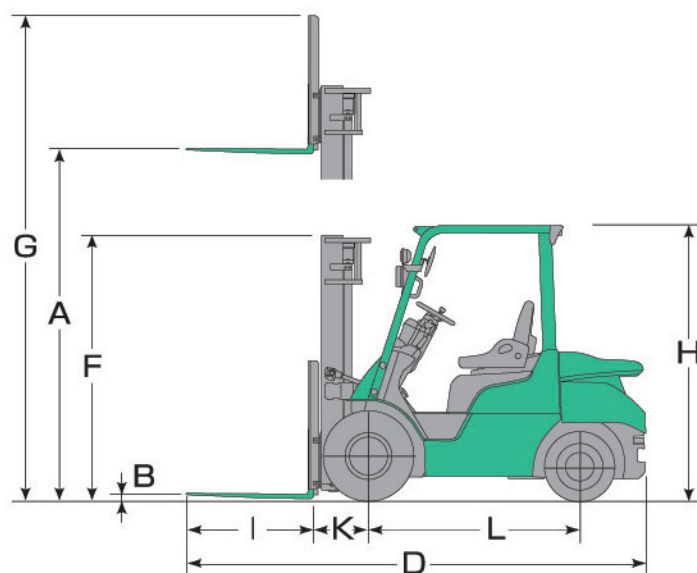




CHARACTERISTICS								
1.1	Manufacturer (abbreviation)			MITSUBISHI	MITSUBISHI	MITSUBISHI	MITSUBISHI	MITSUBISHI
1.2	Manufacturer's model designation			FG15P(T)(D)	FG18P(T)(D)	FG20CP(T)(D)	FG20P(T)(D)	FG20P(T)(D)(H)
1.3	Power source: Battery, Diesel, LPG, Petrol			Petrol/LPG	Petrol/LPG	Petrol/LPG	Petrol/LPG	Petrol/LPG
1.4	Operator type: pedestrian, (operator)-standing, -seated			Seated	Seated	Seated	Seated	Seated
1.5	Load capacity	Q kg		1500	1750	2000	2000	2000
1.6	Load center distance	c mm		500	500	500	500	500
1.7	Load distance, axle to fork face	x mm		400	400	415	455	455
1.8	Wheelbase	y mm		1400	1400	1400	1600	1600
WEIGHTS								
2.1	Truck weight without load / including battery (simplex mast, lowest lift height)		kg	2490	2690	3010	3300	3300
2.2	Axle loading with maximum load, front/rear (simplex mast, lowest lift height)		kg	3510/460	3870/540	4320/660	4600/670	4600/670
2.3	Axle loading without load, front/rear (simplex mast, lowest lift height)		kg	1040/1430	990/1670	1010/1970	1410/1860	1410/1860
WHEELS, DRIVE TRAIN								
3.1	Tyres: V=solid, L=pneumatic, SE=solid pneumatic - front/rear			L / L	L / L	SE / SE	L / L	L / L
3.2	Tyre dimensions, front			6.50-10	6.50-10	6.50-10/5.00	7.00-12	7.00-12
3.3	Tyre dimensions, rear			5.00-8	5.00-8	5.00-8/3.00	6.00-9	6.00-9
3.4	Number of wheels, front/rear (x=driven)			2x / 2	2x / 2	2x / 2	2x / 2	2x / 2
3.5	Track width (center of tyres), front	b10 mm		890	890	890	890	890
3.6	Track width (center of tyres), rear	b11 mm		900	900	900	900	900
DIMENSIONS								
4.1	Mast tilt, forwards/backwards		∅/β °	6/12	6/12	6/12	6/12	6/12
4.2	Height with mast lowered (see tables)		h1 mm	1990	1990	1990	1990	1990
4.3	Free lift (see tables)		h2 mm	115	115	120	140	140
4.4	Lift height (see tables)		h3 mm	3000	3000	3000	3000	3000
4.5	Overall height with mast raised		h4 mm	4055	4055	4055	4055	4055
4.6	Height to top of overhead guard		h6 mm	2065	2065	2065	2074	2074
4.7	Seat height		h7 mm	929	929	929	938	938
4.8	Tow coupling height		h10 mm	290	290	290	310	310
4.9	Overall length		l1 mm	3180	3220	3275	3405	3405
4.10	Length to fork face (includes fork thickness)		l2 mm	2260	2300	2355	2485	2485
4.11	Overall width		b1/b2 mm	1065/-	1065/-	1065/-	1150 / 1640	1150 / 1640
4.12	Fork dimensions (thickness, width, length)		s/e/l mm	35x100x920	35x100x920	45x100x920	45x100x920	45x100x920
4.13	Fork carriage to DIN 15 173 A/B/no			2A	2A	2A	2A	2A
4.14	Fork carriage width		b3 mm	920	920	920	1000	1000
4.15	Ground clearance under mast, with load		m1 mm	110	110	110	115	115
4.16	Ground clearance at center of wheelbase, with load (forks lowered)		m2 mm	150	150	150	160	160
4.17	Working aisle width with 1000 x 1200 mm pallets, crosswise		Ast mm	3550	3580	3635	3855	3855
4.18	Working aisle width with 800 x 1200 mm pallets, crosswise		Ast mm	3350	3380	3435	3655	3655
4.19	Working aisle width with 800 x 1200 mm pallets, lengthwise			3750	3780	3835	4055	4055
4.20	Turning circle radius		Wa mm	1950	1980	2020	2200	2200
4.21	Minimum distance between centers of rotation		b13 mm	555	555	555	715	715
PERFORMANCE								
5.1	Travel speed, with/without load		km/h	19.0/19.5	19.0/19.5	19.0/19.5	18.5/19.0	18.5/19.0
5.2	Lifting speed, with/without load		m/s	0.63/0.64	0.63/0.64	0.63/0.64	0.58/0.58	0.64/0.64
5.3	Lowering speed, with/without load		m/s	0.52/0.45	0.52/0.45	0.52/0.45	0.51/0.45	0.51/0.45
5.4	Rated drawbar pull, with/without load		N	14600/6800	14600/6400	14400/6500	14700/9100	17300/9100
5.5	Gradeability, with load		s	40	36	31	30	35
5.6	Service brakes (mechanical/hydraulic/electric/pneumatic)			Hydraulic	Hydraulic	Hydraulic	Hydraulic	Hydraulic
IC ENGINE								
6.1	Manufacturer / Type			GK21	GK21	GK21	GK21	GK25
6.2	Rated / Nominal output to ISO 1585**		kW	36.0	36.0	36.0	36.0	42.0
6.3	Rated speed to DIN 70 020		rpm	2700	2700	2700	2700	2700
6.4	Number of cylinders / cubic capacity		cm³	4 / 2065	4 / 2065	4 / 2065	4 / 2065	4 / 2488
6.5	Fuel consumption according to VDI 60 cycle		l/h / kg/h	- / 2.70	- / 3.00	- / 3.40	- / 3.60	- / 3.90
6.6	Max torque		Nm	149	149	149	149	185
6.7	Max torque at engine speed		rpm	1800	1800	1800	1800	1400
MISCELLANEOUS								
7.1	Type of drive control			Powershift 1/1	Powershift 1/1	Powershift 1/1	Powershift 1/1	Powershift 1/1
7.2	Maximum operating pressure for attachments		bar	180	180	180	180	180
7.3	Oil flow for attachments		l/min	60	60	60	60	60
7.4	Noise level, value at operator's ear (EN 12053)		dB(A)	79	79	79	79	79
7.5	Towing coupling design / DIN type, ref.			pin	pin	pin	pin	pin



mitsubishi FG25P(T)(D) Petrol/LPG Seated 2500 500 460 1600	mitsubishi FG25P(T)(D)H Petrol/LPG Seated 2500 500 460 1600	mitsubishi FG30P(T)(D) Petrol/LPG Seated 3000 500 495 1700	mitsubishi FG35P(T)(D) Petrol/LPG Seated 3500 500 495 1700
3600	3600	4240	4630
5390/680	5390/680	6470/770	7180/950
1390/2180	1390/2180	1710/2530	1630/3000
L / L	L / L	L / L	L / L
7.00-12	7.00-12	28x9-15	250 -15
6.00-9	6.00-9	6.50-10	6.50-10
2x / 2	2x / 2	2x / 2	2x / 2
960	960	1060	1060
980	980	980	980
6/12	6/12	6/12	6/12
1990	1990	2015	2130
140	140	145	145
3000	3000	3000	3000
4055	4055	4055	4055
2074	2074	2093	2103
938	938	988	988
310	310	330	340
3480	3480	3805	3865
2560	2560	2735	2795
1150 / 1640	1150 / 1640	1275 / 1710	1290 / 1710
45x100x920	45x100x920	45x122x1070	45x122x1070
2A	2A	3A	3A
1000	1000	1000	1000
115	115	135	150
160	160	190	200
3890	3890	4075	4135
3690	3690	3875	3935
4090	4090	4275	4335
2230	2230	2380	2440
715	715	780	780
18.5/19.0	18.5/19.0	18.0/18.5	18.5/19.0
0.58/0.58	0.64/0.64	0.51/0.50	0.43/0.42
0.51/0.45	0.51/0.45	0.51/0.41	0.43/0.31
14500/9000	17100/9100	17400/10900	16600/10400
25	30	25	21
Hydraulic	Hydraulic	Hydraulic	Hydraulic
GK21	GK25	GK25	GK25
36.0	42.0	42.0	42.0
2700	2700	2700	2700
4 / 2065	4 / 2488	4 / 2488	4 / 2488
- / 4.10	- / 4.50	- / 5.30	- / 6.00
149	185	185	185
1800	1400	1400	1400
Powershift 1/1	Powershift 1/1	Powershift 1/1	Powershift 1/1
180	180	180	180
60	60	60	60
79	79	79	79
pin	pin	pin	pin





**Like any product bearing the "MITSUBISHI" name our materials handling equipment benefits from the tremendous heritage, huge resources and cutting-edge technology of one of the world's largest corporations – Mitsubishi Heavy Industries Group.**

Engineering spacecraft, jet planes, power plants and more, MHI specialises in those technologies where performance, dependability and superiority decide your success or failure...

So when we promise you quality, reliability and value for money, you know it's a guarantee we have the power to deliver.

That's why every model in our award-winning and comprehensive range of lift trucks and warehouse equipment is built to a high specification – to ensure it keeps working for you. Day after day. Year after year. Whatever the job. Whatever the conditions.

## **YOU'LL NEVER WORK ALONE**

As your local authorised dealer, we are here to keep your trucks working – through our extensive experience, our technical excellence and our commitment to customer care.

We are your local experts, backed by efficient channels to the entire organisation of Mitsubishi Forklift Trucks.

No matter where you are, we are close by – with the capability to meet your needs.

Discover how Mitsubishi Forklift Trucks give you more from your local authorised dealer or when you visit our website [www.mitforklift.com.sg](http://www.mitforklift.com.sg)

Performance specifications may vary depending on standard manufacturing tolerances, vehicle condition, types of tyres, floor or surface conditions, applications or operating environment. Trucks may be shown with non-standard options. Specific performance requirements and locally available configurations should be discussed with your distributor of Mitsubishi forklift trucks. We follow a policy of continual product improvement. For this reason, some materials, options and specifications could change without notice.

© 2023 by MLAP. All Rights Reserved. All registered trademarks are the property of their respective owners. Printed in Singapore.

FMIT0201 (10/2023)

